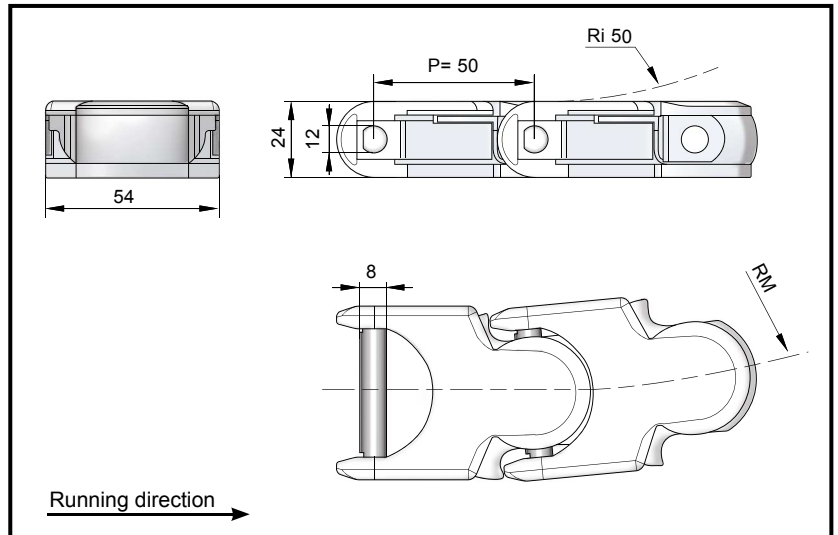
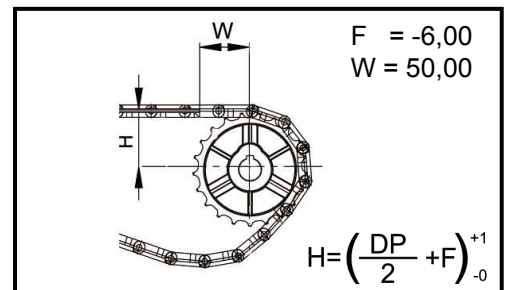


SERIE 550 1700 FP



COD.	K		Kg/m	Open Surface	RM (mm)	*Ri (mm)
	mm	inch				
** 550 1700 FP	54	2,12	1,5	0%	150	50

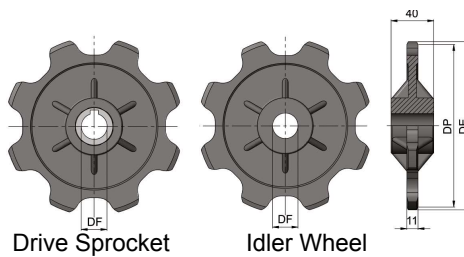
* Ri: Back-flex Radius



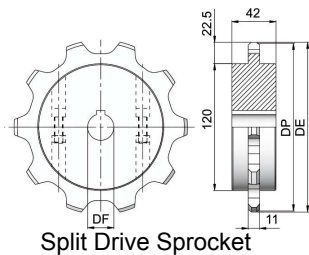
** Prefix	Chain material	Color	Ø Pin (mm)	Standard Pin Material	Minimum Temperature	Maximum Temp.		TT N	FDA Approval
						Dry enviroment	Wet enviroment		
AW	Acetal-AW	White	8	SS304	-40	+85	+70	2700	✓

Available types

Z	Ø De	Ø Dp
8	134	130,5
10	165	161,8



Z	Ø De	Ø Dp
10	165	161,8



Remarks

- Standard packaging 3,048m 10ft.
- AW Standard Production
- Other materials available under request