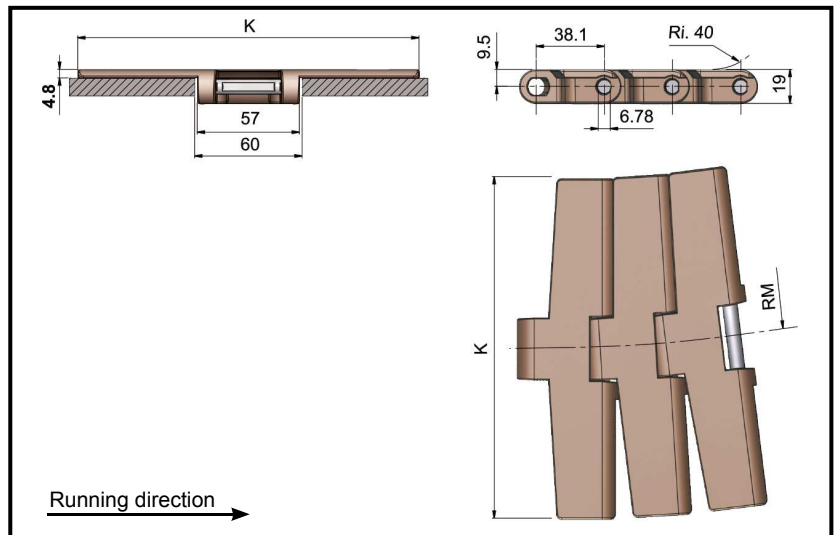
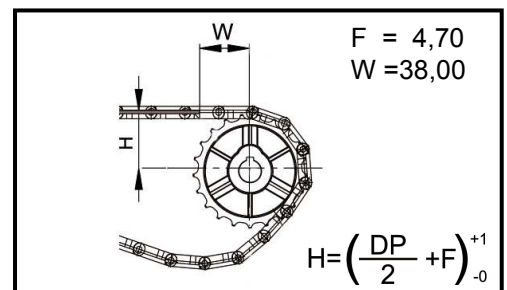


# SERIE 882 M



COD.	K		Kg/m	Open Surface	RM (mm)	*Ri (mm)
	mm	inch				
** 882M 075	190,5	7,50	2,19	0%	610	40
** 882M 100	254	10,0	2,44			
** 882M 120	304,8	12,0	2,73			

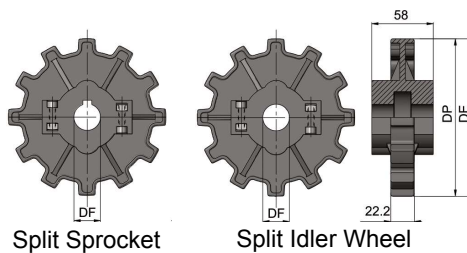
\* Ri: Back-flex Radius



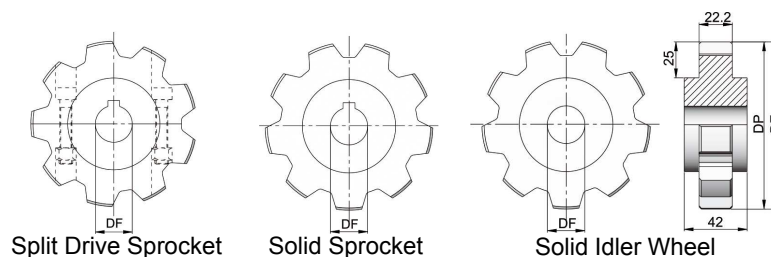
** Prefix	Chain material	Color	Ø Pin (mm)	Standard Pin Material	Minimum Temperature	Maximum Temp.		TT N	FDA Approval
						Dry enviroment	Wet enviroment		
LF	Acetal-LF	Brown	6,78	SS430	-40	+85	+70	3900	✓
KV ●	Acetal-Kevlar	Grey				-			

## Available types

Z	Ø De	Ø Dp
12	148,5	147,2



Z	Ø De	Ø Dp
9	112,5	111,4
10	124,9	123,4
11	136,4	135,2
12	148,5	147,2



## Remarks

- Standard packaging 3,048m 10ft.
- ● Made to order
- LF Standard Production
- Other materials available under request