

AU

Component and Chain Range

Australian stock range 2021



Chain Range - Side Flexing

uni 1702



- Pitch: 50.0 mm
- Strength: 4000 N
- Min radius: 150.0 mm

uni 2500



- Pitch: 63.5 mm
- Strength: 7500 N
- Min radius: 600.0 mm

uni 2600 C | Tab C



- Pitch: 63.5 mm
- Strength: 6000 N
- Min radius: 600.0 mm

uni 2600 O | Tab O



- Pitch: 63.5 mm
- Strength: 6000 N
- Min radius: 600.0 mm

uni 2700



- Pitch: 70.0 mm
- Strength: 11000 N
- Min radius: 300.0 mm

uni 880 Tab* | Tab R



- Pitch: 38.1mm
- Strength: 2250 N
- Min radius: 400.0 mm - 200.0 mm
- Types: K325 - K325 R - K450 - K750

uni 882 Tab



- Pitch: 38.1mm
- Strength: 4000 N
- Min radius: 610.0 mm - 700.0 mm
- Types: K450 - K750 - K1000 - K1200

uni 882 Tab SC



- Pitch: 38.1mm
- Strength: 4000 N
- Min radius: 610.0 mm
- Types: K1000

AVE SERIE 880 M



- Types: K325 - K450

AVE SERIE 2505 FT M



- Types: K330

AVE SERIE 2505 FT TAB



- Types: K330

Chain Range - Straight Running

uni 820 | 831



- Pitch: 38.1 mm
- Strength: 2000 N
- Types:
 - K325
 - K400
 - K450
 - K750

uni 821



- Pitch: 38.1 mm
- Strength: 3000 N
- Types:
 - K750
 - K1000
 - K1200

uni 812

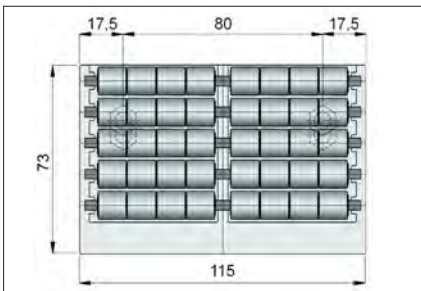


- Single hinge
- AISI430
- Type:
 - K750

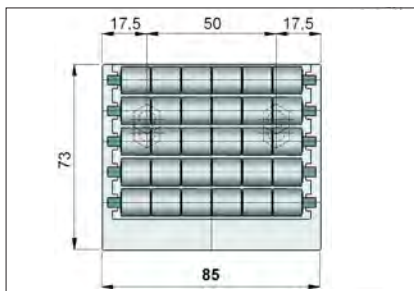
Conveyor Transfer Rollers



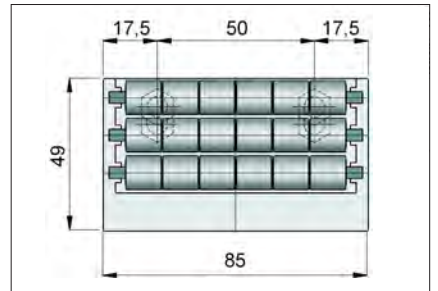
- Wide:
 - 115 mm
 - 85 mm
- Roller sets long:
 - 5
 - 3
 - 2



COD. 8426045



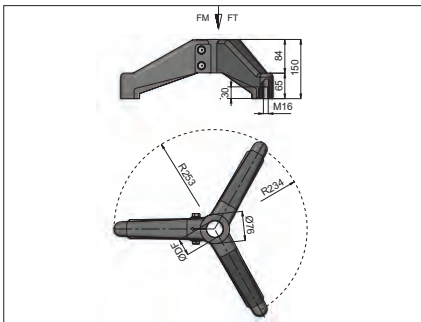
COD. 8426035



COD. 8426033

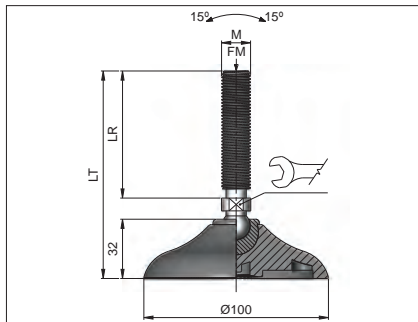
Feet & Side Brackets

Tripod Foot



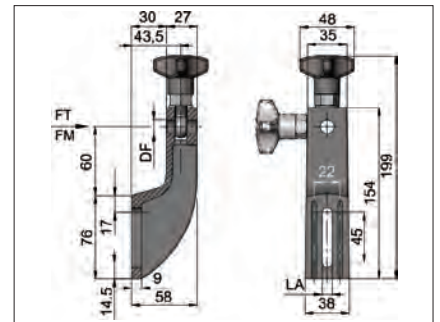
- $\phi 50.9$: 8310010

$\phi 100$ Light Foot



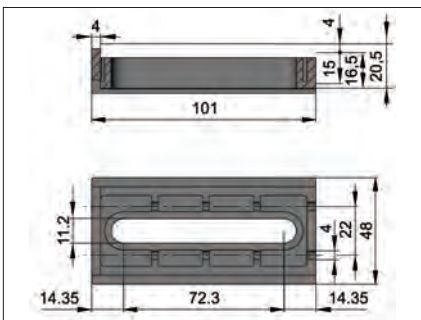
- LT: 173
- M12: 8750117
- M12: 8750130

Side Rail Bracket



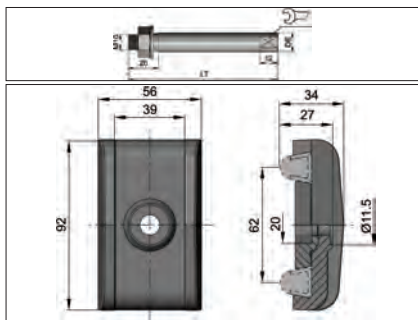
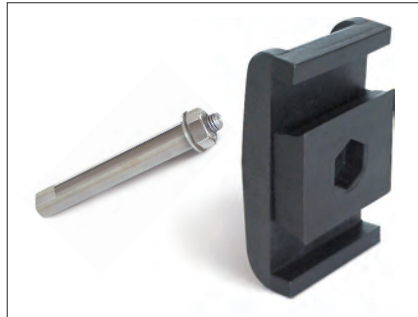
- 154H x 58W
- $\phi 12.5$: 8110033NV

Side Rail Spacer



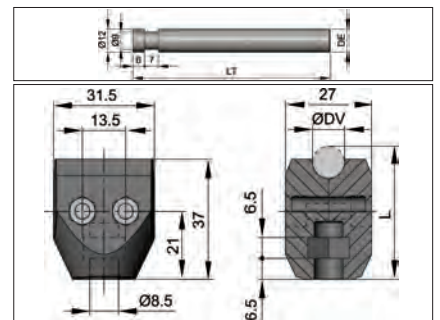
- 15 mm
- Suit 8110033NV: 8190808

Double Clamp Bracket



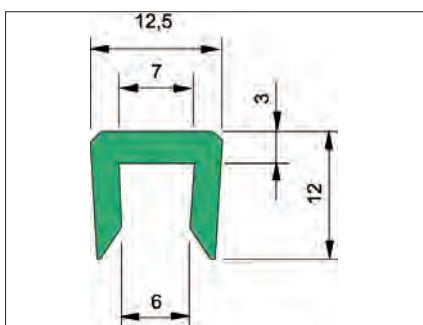
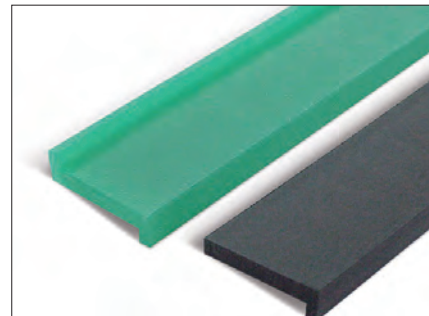
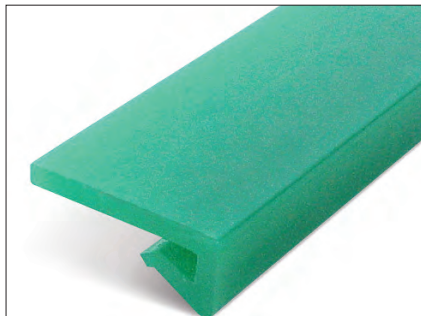
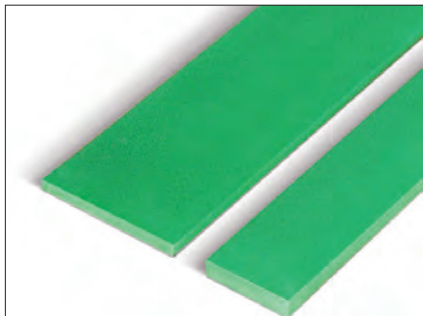
- Bracket
 - Suit $\phi 12$: 8210212NV
 - Suit Bevel: 8210134
- Adjusting Rod L = 118
 - Suit $\phi 12$: 8220321

Side Rail Bracket



- Bracket
 - Suit $\phi 12$: 8210040
 - Suit Bevel: 8210142
- Adjusting Rod L = 150
 - Suit $\phi 12$: 8220380

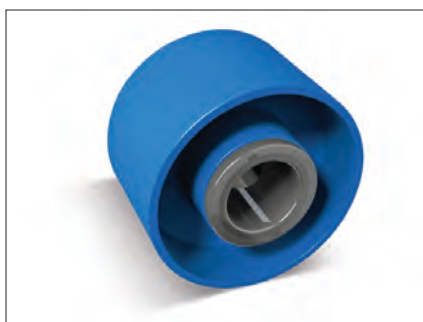
Wearstrips



- Green
 - 30 x 5: P20123
 - 50 x 5: P20127
 - P PROFILE: P20274
 - L PROFILE: P20256
- White
 - U PROFILE: P10286

Rollers and Collars

Rubber / Acetal



- $\varnothing 60 \times \varnothing 12$: 8010367
- $\varnothing 60 \times \varnothing 16$: 8010369

* Blue - Grey

Split Collar



- $\varnothing 12$: 8235325
- $\varnothing 16$: 8235331

Local Contacts

... and 150 more service contact points
at ammeraalbeltech.com/au

VICTORIA - Head Office & Administration

51 Bazalgette Crescent
Dandenong South VIC 3175
Ph (03) 8780 6000
salesvic@rydell.com.au

QUEENSLAND - Modular Division

8 Machinery Street
Darra QLD 4076
Ph (07) 3564 4600
salesqld@rydell.com.au

VIC - HASTINGS

Factory 16/24 Kanowna Street
Hastings VIC 3915
Ph (03) 5979 4447
salesvic@rydell.com.au

NEW SOUTH WALES

22 Binney Road
Kings Park NSW 2148
Ph (02) 8664 9800
salesnsw@rydell.com.au

SOUTH AUSTRALIA

17-19 Churchill Road North
Dry Creek SA 5094
Ph (08) 8216 7000
salessa@rydell.com.au

NEW SOUTH WALES

New England/North West Region
43 Macleay Way
Invergowrie NSW 2350
Ph 0418 513 998
salesnsw@rydell.com.au

QUEENSLAND

12 Machinery Street
Darra QLD 4076
Ph (07) 3564 4600
salesqld@rydell.com.au

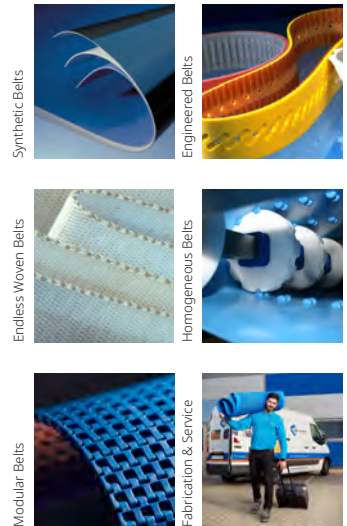
WESTERN AUSTRALIA

29 Irvine Drive
Malaga WA 6090
Ph (08) 9249 3777
saleswa@rydell.com.au

VIC - BAIRNSDALE

Factory 3/79 Macleod Street
Bairnsdale VIC 3875
Ph 0487 555 118
salesvic@rydell.com.au

Expert advice, quality solutions
and local service
for all your belting needs



45+ years servicing Australia | 10 sales & services centres | Australia's One-Stop Belt Shop

General contact information:

Ammeraal Beltech

P.O. Box 38
1700 AA Heerhugowaard
The Netherlands

T +31 (0)72 575 1212
info@ammeraalbeltech.com

ammega.com