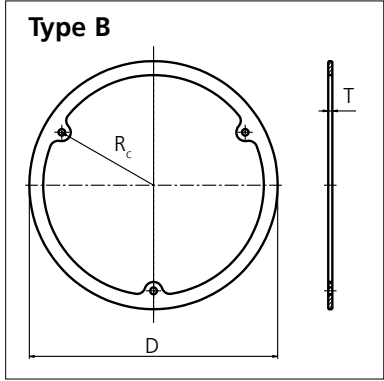
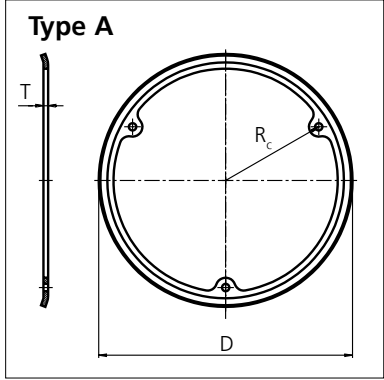




Accessories uni Guide Rings

STANDARD

No of teeth	Overall diameter D		Clamping diameter radius R_c		Thickness of ring T		Shape of ring Type
	mm	in	mm	in	mm	in	
17	104.4	4.11	39.7	1.56	1.5	0.06	A
18	104.4	4.11	39.7	1.56	1.5	0.06	A
19	116.3	4.58	45.5	1.79	3.0	0.12	A
20	116.3	4.58	45.5	1.79	3.0	0.12	A
21	129.3	5.10	53.0	2.09	3.0	0.12	A
22	129.3	5.10	53.0	2.09	3.0	0.12	A
23	141.2	5.56	57.0	2.24	3.0	0.12	A
24	141.2	5.56	57.0	2.24	3.0	0.12	A
25	153.2	6.03	63.6	2.50	3.0	0.12	A
26	153.2	6.03	63.6	2.50	3.0	0.12	A
27	165.2	70.0	70.0	2.76	3.0	0.12	A
28	165.2	70.0	70.0	2.76	3.0	0.12	A
29	178.3	76.0	76.0	2.99	3.0	0.12	B
30	178.3	76.0	76.0	2.99	3.0	0.12	B
31	190.5	82.0	82.0	3.23	3.0	0.12	B
32	190.5	82.0	82.0	3.23	3.0	0.12	B



The sprockets for the steel chains uni 810/812/815/800/802/805 can be supplied with guide rings if the drive sprockets are to guide the chain.
All guide rings are supplied with 3 clamping holes \varnothing 4.8 mm (0.19 in).

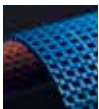
Standard material	DIN 1.0120
-------------------	------------



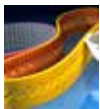
Synthetic Belts



Endless Woven Belts



Modular Belts



Engineered Belts



Homogeneous Belts



Fabrication & Service

**Expert advice and quality solutions
for all your belting needs.**
ammeraalbeltech.com

Ammeraal Beltech Modular A/S
Hjulgagervej 21
DK-7100 Vejle
T +31 7572 3100

ammega.com

This information is subject to alteration due to continuous development. Ammeraal Beltech will not be held liable for the incorrect use of the above stated information. This information replaces previous information. All activities performed and services rendered by Ammeraal Beltech are subject to general terms and conditions of sale and delivery, as applied by its operating companies.

Member of Ammega Group.